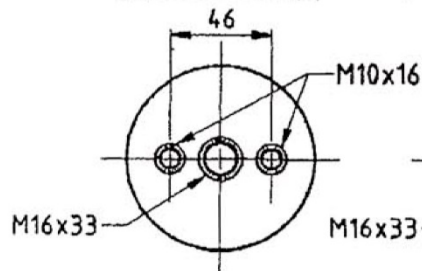
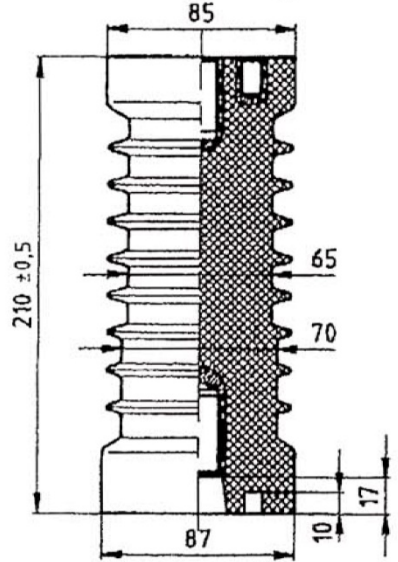
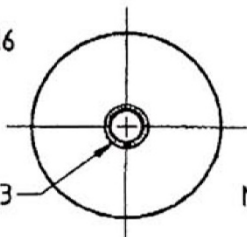


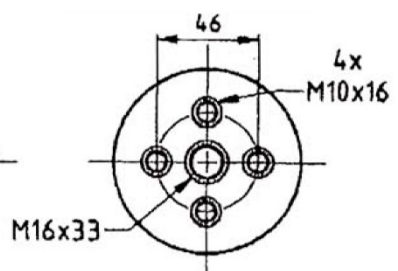
Bottom fitting



Design 1
DIN 48136
IEC 273



Design 2




Design 3

Tests corresponding IEC 60660 (VDE 0441/part 3)

Color = RAL 8016

Type	B 20N-1000 Designation corresponding DIN 48136	JO10-125 Designation corresponding IEC 60273	125 kV Lightning impulse withstand voltage	50 kV Power frequency withstand voltage, dry	> 10 kN Failing load bending	308 mm Creepage distance	8 Numbers of ribs	1,85 kg Weight
------	--	--	--	--	---	------------------------------------	-----------------------------	--------------------------

Index	Modification / Complement	Date	Name	Appr	Index	Modification / Complement	Date	Name	Appr
a	Product nr	12.02.96	JB		d				
b	Report and tolerance supplemented	26.01.05			e				
c					f				

	Date	Name	Customer	Article	Drawing N° : M..
Prepared	190995	JB	BINAME	B149 (Design 1) B221 (Design 2) B220 (Design 3)	
Approved	18.7.04		Material : Epoxy		
Scale : 1:1	Type :				BINAME INSULATORS Robert Dansaertlaan 250 1702 Groot-Bijgaarden Belgium
General tolerances DIN 16901 130	Casting epoxy resin indoor post insulator JO10-125 B149 - B221 - B220				