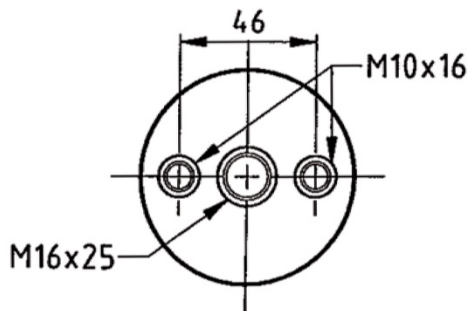
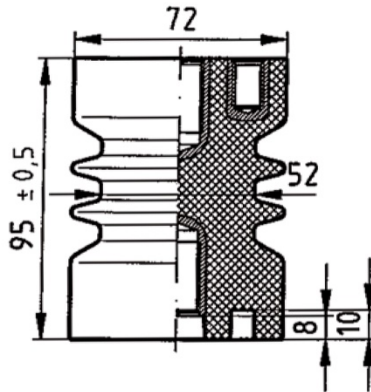
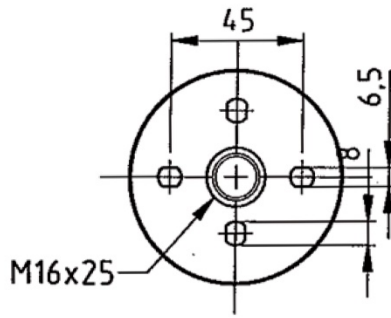


### Bottom fitting



Design 1  
DIN 48136  
IEC 273

#### Tests corresponding IEC 60660 (VDE 0441/part 3)

Color = RAL 8016

Type	B 10S-1000	JO10-60	60 kV	28 kV	> 10 kN	133 mm	2	0,55 kg
	Designation corresponding DIN 48136	Designation corresponding IEC 60273	Lightning impulse withstand voltage	Power frequency withstand voltage, dry	Failing load bending	Creepage distance	Numbers of ribs	Weight

Index	Modification / Complement	Date	Name	Appr	Index	Modification / Complement	Date	Name	Appr
a	-	-	JB		d				
b					e				
c					f				

Date	Name	Customer	Article	Drawing N° : M0240
Prepared 06.02.97	JB	BINAME	B499	<b>BINAME</b> <i>INSULATORS</i>
Approved 14.7.06		Material : Epoxy		
Scale : 1:1	Type : Casting epoxy resin indoor post insulator			BINAME INSULATORS Robert Dansaertlaan 250 1702 Groot-Bijgaarden Belgium
General tolerances DIN 16901 130	JO10-60 B499			