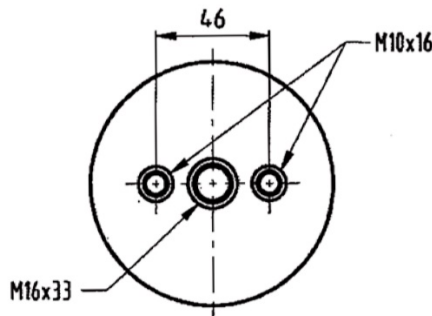
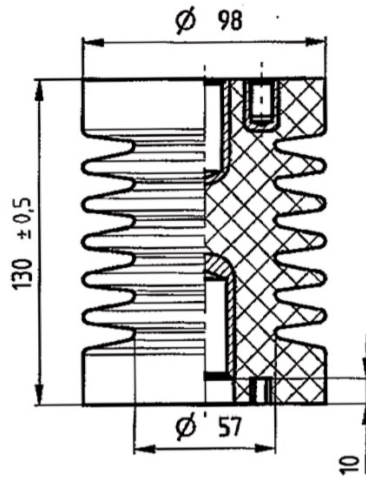
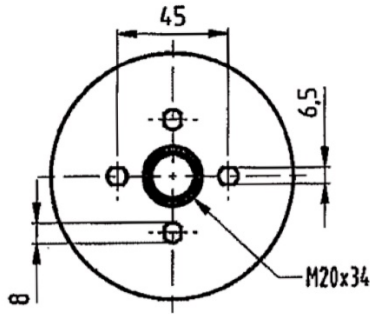


© Tolerazen: 130/DIN 16901



Tests corresponding IEC 60660 (VDE 0441/part 3)

Color = RAL 8016

	B 10N-1000	JO10-75	110 kV	50 kV	> 10 kN	322 mm	5	1,3 kg
Type	Designation corresponding DIN 48136	Designation corresponding IEC 60273	Lightning impulse withstand voltage	Power frequency withstand voltage, dry	Failing load bending	Creepage distance	Numbers of ribs	Weight

Index	Modification / Complement	Date	Name	Appr	Index	Modification / Complement	Date	Name	Appr
a	Power frequency withstand	7.3.00	JB		d	Report BVFA and tolerances supplemented	20.01.05		
b	Power frequency 50 kV		JB		e				
c	Lightning impulse 110 kV				f				

Date	Name	Customer	Article	Drawing N° : M0627
Prepared	JB	BINAME	B983	
Approved		Material : Epoxy		
Scale : 1:1	Type : Casting epoxy resin indoor post insulator JO10-110 B983			BINAME INSULATORS Robert Dansaertlaan 250 1702 Groot-Bijgaarden Belgium
General tolerances DIN 16901 130				