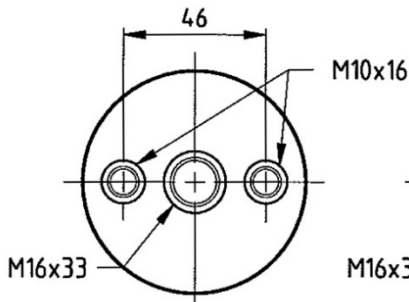
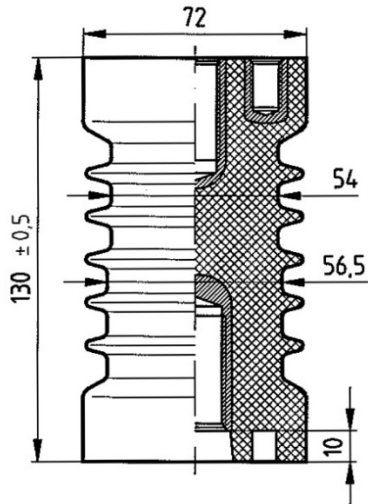
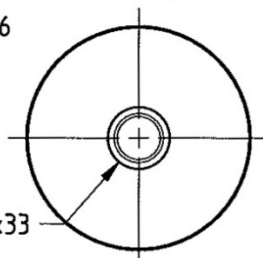


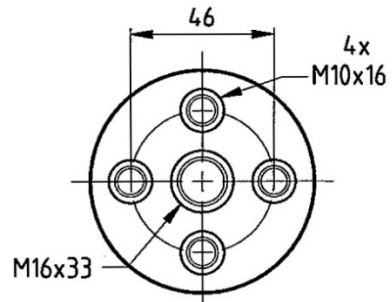
Bottom fitting



Design 1 with potential connection  
DIN 48136  
IEC 273



Design 2



Design 3

**Tests corresponding IEC 60660 (VDE 0441/part 3)**

Color = RAL 8016

Type	<b>B 10N-1000</b> Designation corresponding DIN 48136	<b>JO10-75</b> Designation corresponding IEC 60273	<b>75 kV</b> Lightning impulse withstand voltage	<b>38 kV</b> Power frequency withstand voltage, dry	<b>&gt; 10 kN</b> Failing load bending	<b>187 mm</b> Creepage distance	<b>5</b> Numbers of ribs	<b>0,87 kg</b> Weight
------	--	---	---	--	---	------------------------------------	-----------------------------	--------------------------

Index	Modification / Complement	Date	Name	Appr	Index	Modification / Complement	Date	Name	Appr
a	Product nr	12.02.96	JB		d				
b	Report BVFA and tolerances supplemented	19.01.05	JB		e				
c					f				

	Date	Name	Customer	Article	Drawing N° : M0022-0				
Prepared		JB	BINAME	B125-1 (design 1)					
Approved			Material : Epoxy	B126-1 (design 2)					
				B127-1 (design 3)					
Scale : 1:1	Type :				BINAME INSULATORS Robert Dansaertlaan 250 1702 Groot-Bijgaarden Belgium				
General tolerances	Casting epoxy resin indoor post insulator								
DIN 16901 130	JO10-75 B125-1 – B126-1 – B127-1								