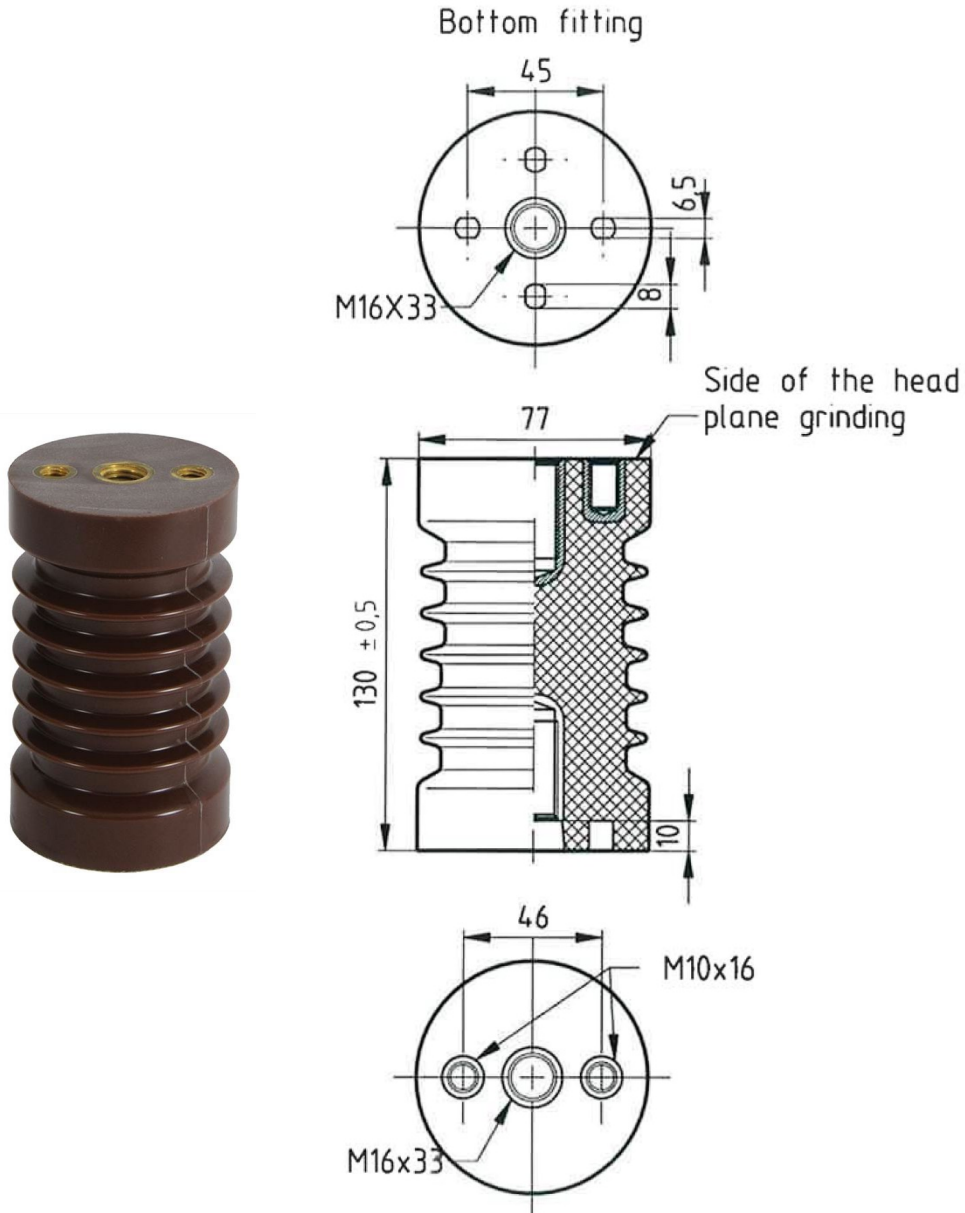


Ⓢ Tolerances 130/DIN 16901



Tests corresponding IEC 60660 (VDE 0441/part 3)

Color = RAL 8016

	B 10N-1000	JO10-75	75 kV	38 kV	> 10 kN	187 mm	5	0,95 kg
Type	Designation corresponding DIN 48136	Designation corresponding IEC 60273	Lightning impulse withstand voltage	Power frequency withstand voltage, dry	Failing load bending	Creepage distance	Numbers of ribs	Weight

Index	Modification / Complement	Date	Name	Appr	Index	Modification / Complement	Date	Name	Appr
a	Product nr	13.02.96	JB		d				
b	Report BVFA and tolerances supplemented	20.01.05	JB		e				
c					f				

	Date	Name	Customer	Article	Drawing N° : M1647				
Prepared		JB	BINAME	B4462-1					
Approved			Material : Epoxy						
Scale : 1:1	Type :								
General tolerances DIN 16901 130	Casting epoxy resin indoor post insulator JO10-75 B4462-1								
					BINAME INSULATORS Robert Dansaertlaan 250 1702 Groot-Bijgaarden Belgium				