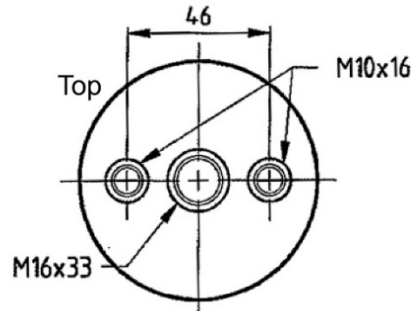
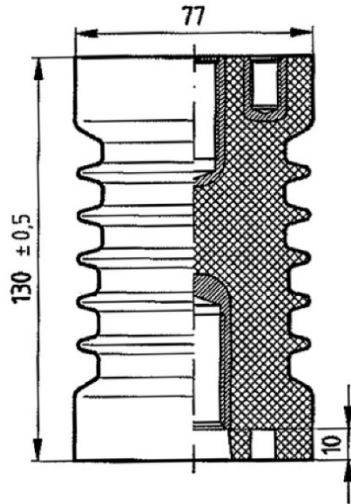


Fuszarmatur / Bottom




Ausf.1/k1 mit Potentialverbindung
DIN 48136
IEC 273

Tests corresponding IEC 60660 (VDE 0441/part 3)

Color = RAL 8016

Type	B 10N-1000	JO10-75	75 kV	38 kV	> 10 kN	187 mm	5	0,95 kg
	Designation corresponding DIN 48136	Designation corresponding IEC 60273	Lightning impulse withstand voltage	Power frequency withstand voltage, dry	Failing load bending	Creepage distance	Numbers of ribs	Weight

Index	Modification / Complement	Date	Name	Appr	Index	Modification / Complement	Date	Name	Appr
a	Product nr	13.02.96	JB		d				
b	Report BVFA and tolerances supplemented	19.01.05	JB		e				
c					f				

Date	Name	Customer	Article	Drawing N° : M0022-K1
Prepared	JB	BINAME	B544 (design 1)	
Approved		Material : Epoxy		
Scale : 1:1	Type :			BINAME INSULATORS Robert Dansaertlaan 250 1702 Groot-Bijgaarden Belgium
General tolerances DIN 16901 130	Casting epoxy resin indoor post insulator JO10-75 B544			