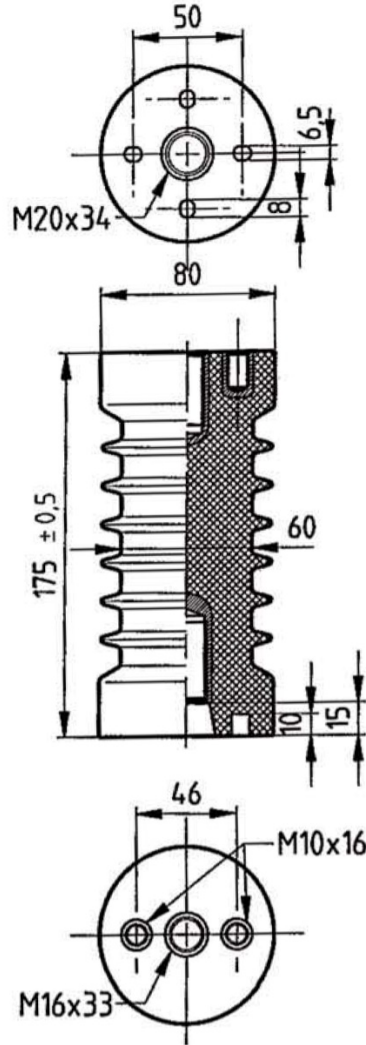


⊙ Tolerances: 130/DIN 16901

Bottom fitting



IEC 273

Tests corresponding IEC 60660 (VDE 0441/part 3)

Color = RAL 8016

	B 20S-1000	JO10-95	95 kV	50 kV	> 10 kN	259 mm	6	1,35 kg
Type	Designation corresponding DIN 48136	Designation corresponding IEC 60273	Lightning impulse withstand voltage	Power frequency withstand voltage, dry	Failing load bending	Creepage distance	Numbers of ribs	Weight

Index	Modification / Complement	Date	Name	Appr	Index	Modification / Complement	Date	Name	Appr
a	Product nr	13.10.04	JB		d				
b	-				e				
c	Report and tolerance supplemented	26.01.05			f				

Date	Name	Customer	Article	Drawing N° : M0027
Prepared 210995	JB	BINAME	B228	
Approved 18.7.04		Material : Epoxy		
Scale : 1:1	Type : Casting epoxy resin indoor post insulator			BINAME INSULATORS Robert Dansaertlaan 250 1702 Groot-Bijgaarden Belgium
General tolerances DIN 16901 130	JO10-95 B228			