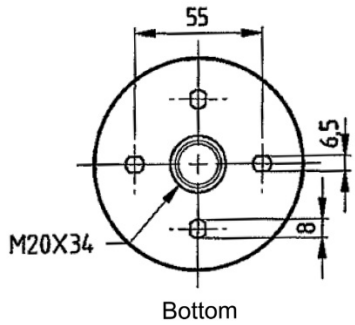
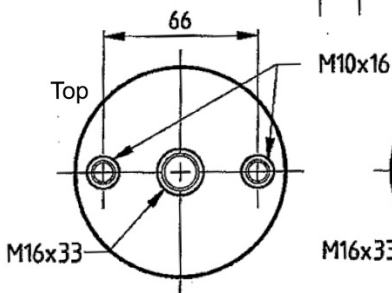
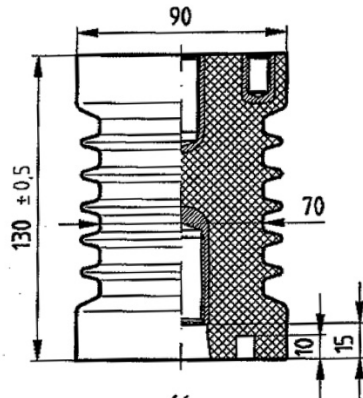


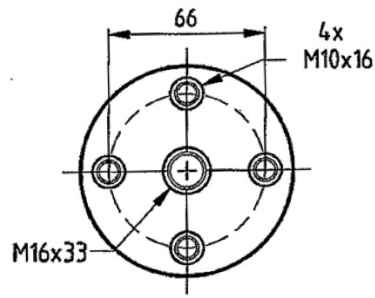
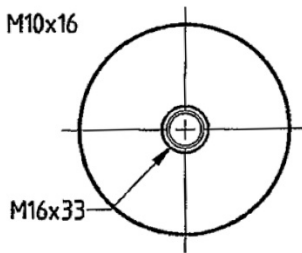
⊖ Toleranzen: 130/DIN 16901



Bottom



Top



Design 1
DIN 48136
IEC 273

Design 2

Design 3

Tests corresponding IEC 60660 (VDE 0441/part 3)

Color = RAL 8016

	C 10N-1600	JO16-75	75 kV	38 kV	> 16 kN	195 mm	5	1,32 kg
Type	Designation corresponding DIN 48136	Designation corresponding IEC 60273	Lightning impulse withstand voltage	Power frequency withstand voltage, dry	Failing load bending	Creepage distance	Numbers of ribs	Weight

Index	Modification / Complement	Date	Name	Appr	Index	Modification / Complement	Date	Name	Appr
a	Power frequency withstand	7.3.00	JB		d	Report BVFA and tolerances supplemented	20.01.05		
b	Power frequency 50 kV		JB		e				
c	Lightning impulse 110 kV				f				

Date	Name	Customer	Article	Drawing N° : M0023-0
Prepared	JB	BINAME	B644 (design 1)	
Approved		Material : Epoxy	B131-1 (design 2) B132-1 (design 3)	
Scale : 1:1	Type : Casting epoxy resin indoor post insulator JO16-75 B644 – B131-1 – B132-1			
General tolerances DIN 16901 130				BINAME INSULATORS Robert Dansaertlaan 250 1702 Groot-Bijgaarden Belgium

