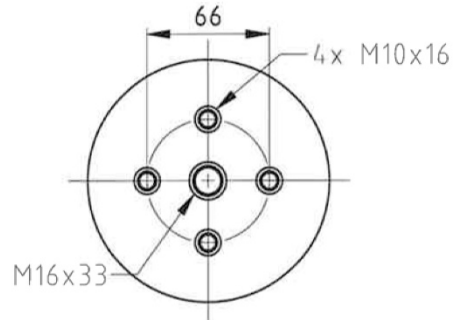
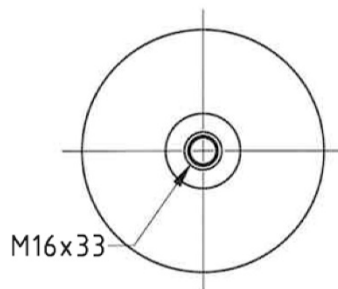
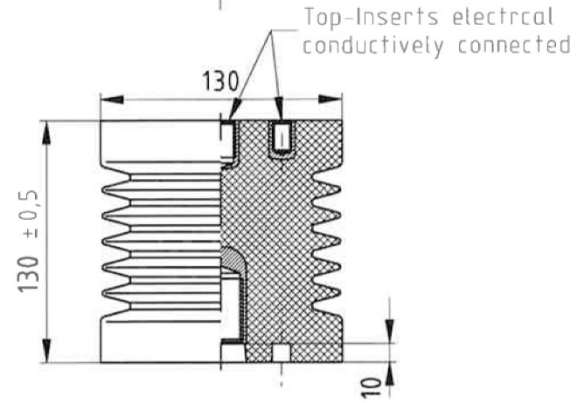
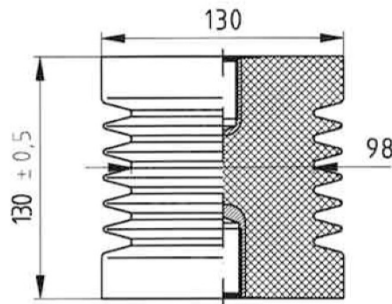
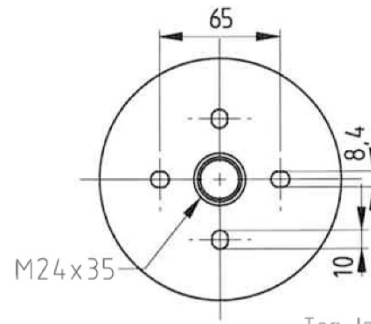
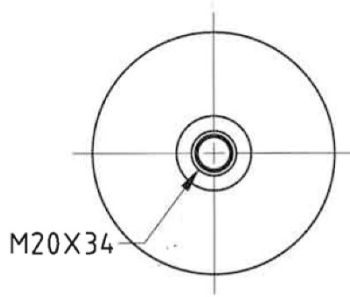


Bottom fitting



Design 2  
(B136-1)

Design 3  
(B545-1)

Tests corresponding IEC 60660 (VDE 0441/part 3)

Color = RAL 8016

Type	Designation corresponding DIN 48136	Designation corresponding IEC 60273	75 kV Lightning impulse withstand voltage	38 kV Power frequency withstand voltage, dry	> 25 kN Failing load bending	261 mm Creepage distance	5 Numbers of ribs	2,85 kg Weight
------	-------------------------------------	-------------------------------------	--	---	---------------------------------	-----------------------------	----------------------	-------------------

Index	Modification / Complement	Date	Name	Appr	Index	Modification / Complement	Date	Name	Appr
a	Product Nr.	12.02.96	JB		d	Product Nr/text + POT	17.04.03	JB	
b	Design 3 from E0008	24.04.96	JB		e				
c	Design 3 M16x33	12.02.99	JB		f				

Date	Name	Customer	Article	Drawing N° : M0024-0
Prepared 180995	JB	BINAME	B136-1 (design 2)	<b>BINAME</b> <i>INSULATORS</i>
Approved		Material : Epoxy	B545-1 (design 3)	
Scale : 1:1	Type : Casting epoxy resin indoor post insulator			BINAME INSULATORS Robert Dansaertlaan 250 1702 Groot-Bijgaarden Belgium
General tolerances DIN 16901 130	JO25-75 B136-1 – B545-1			

