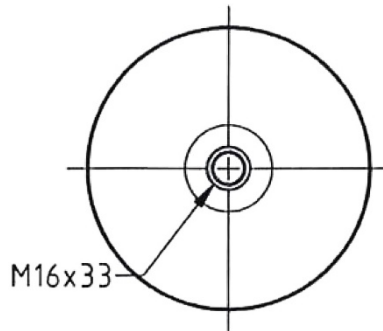
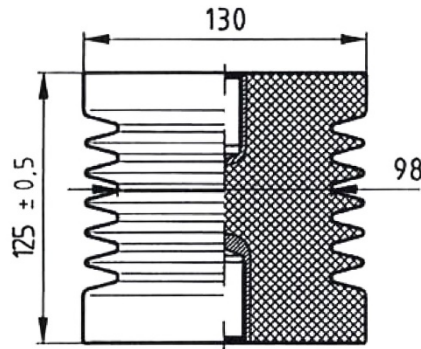
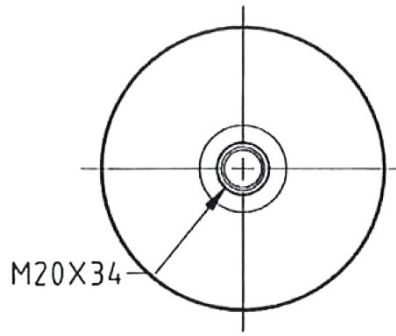


Bottom fitting



Design 2/1

**Tests corresponding IEC 60660 (VDE 0441/part 3)**

Color = RAL 8016

Type	Designation corresponding DIN 48136	Designation corresponding IEC 60273	75 kV Lightning impulse withstand voltage	38 kV Power frequency withstand voltage, dry	> 25 kN Failing load bending	261 mm Creepage distance	5 Numbers of ribs	2,74 kg Weight
------	-------------------------------------	-------------------------------------	--	---	---------------------------------	-----------------------------	----------------------	-------------------

Index	Modification / Complement	Date	Name	Appr	Index	Modification / Complement	Date	Name	Appr
a	Product Nr.	12.02.96	JB		d				
b					e				
c					f				

Date	Name	Customer	Article	Drawing N° : M0024-K1
Prepared 180995	JB	BINAME	B137	
Approved 14.2.05		Material : Epoxy		
Scale : 1:1	Type : Casting epoxy resin indoor post insulator JO25-75 B137			BINAME INSULATORS Robert Dansaertlaan 250 1702 Groot-Bijgaarden Belgium
General tolerances DIN 16901 130				