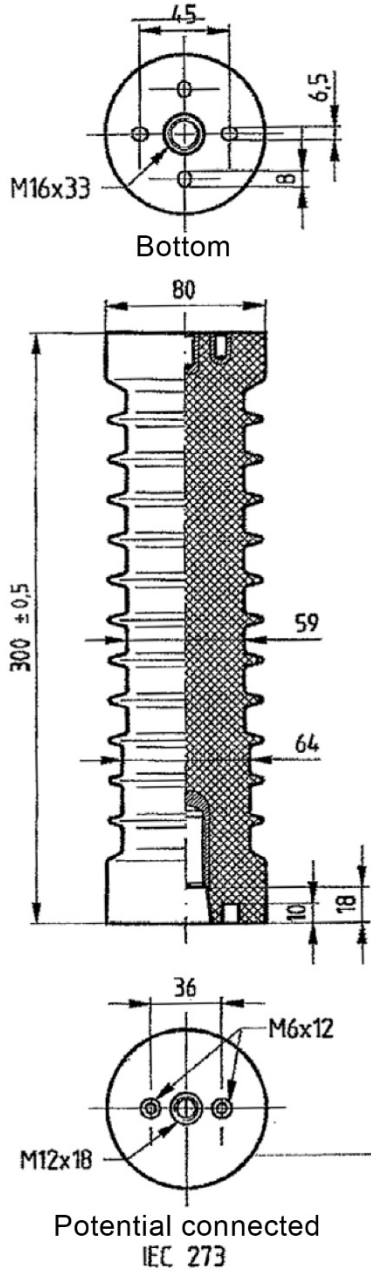


@ Toleranzen: 130/DIN 16901



Tests corresponding IEC 60660 (VDE 0441/part 3)

Color = RAL 8016

	A 30N-500	JO6-170	170 kV	70 kV	> 5 kN	434 mm	11	2,1 kg
Type	Designation corresponding DIN 48136	Designation corresponding IEC 60273	Lightning impulse withstand voltage	Power frequency withstand voltage, dry	Failing load bending	Creepage distance	Numbers of ribs	Weight

Index	Modification / Complement	Date	Name	Appr	Index	Modification / Complement	Date	Name	Appr
a	Power few withstand 60 kV	7.03.00	JB		d				
b					e				
c					f				

Date	Name	Customer	Article	Drawing N° : M4.1099/84
Prepared 7.6.99	JB	BINAME	B551-1	
Approved 8.6.00		Material : Epoxy		
Scale : 1:1	Type :			BINAME INSULATORS Robert Dansaertlaan 250 1702 Groot-Bijgaarden Belgium
General tolerances DIN 16901 130	Casting epoxy resin indoor post insulator JO6-170 B551-1			