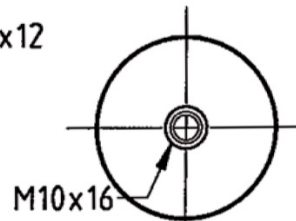
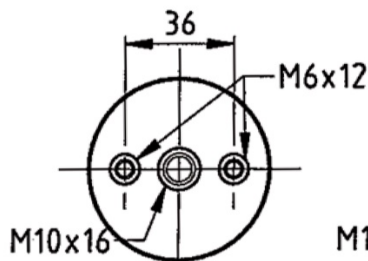
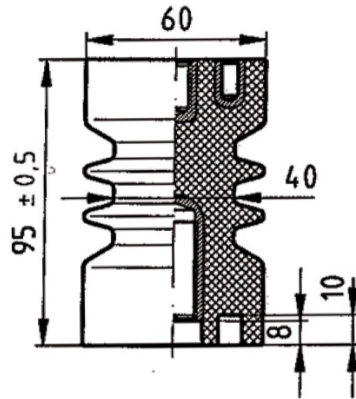
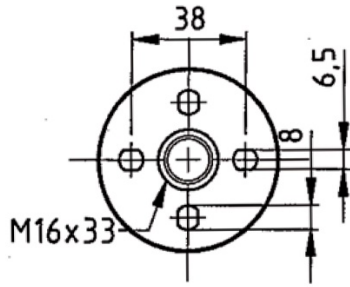


Ⓢ Tolerances: 130/DIN 16901

Bottom fitting



Design 1 with potential connection

Design 2


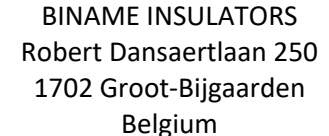
DIN 48136

Tests corresponding IEC 60660 (VDE 0441/part 3)

Color = RAL 8016

	S 10S-500	JO6-60	60 kV	28 kV	> 5 kN	133 mm	2	0,45 kg
Type	Designation corresponding DIN 48136	Designation corresponding IEC 60273	Lightning impulse withstand voltage	Power frequency withstand voltage, dry	Failing load bending	Creepage distance	Numbers of ribs	Weight

Index	Modification / Complement	Date	Name	Appr	Index	Modification / Complement	Date	Name	Appr
a	Product number				D				
b					E				
c					f				

	Date	Name	Customer	Article	Drawing N° : M0020-0				
Prepared	13.09.95	JB	BINAME	B118-1 (design 1)					
Approved	18.7.06		Material : Epoxy	B121-1 (design 2)					
Scale	Type :								
General tolerances DIN 16901 130	Casting epoxy resin indoor post insulator JO6-60 B118-1 - B121-1								