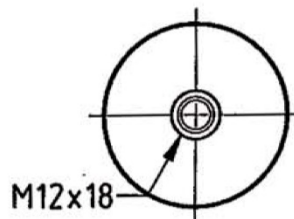
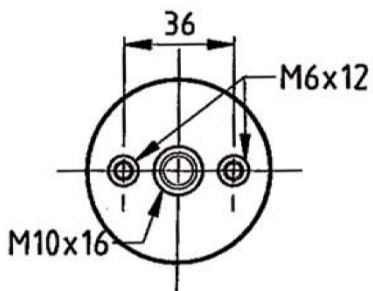
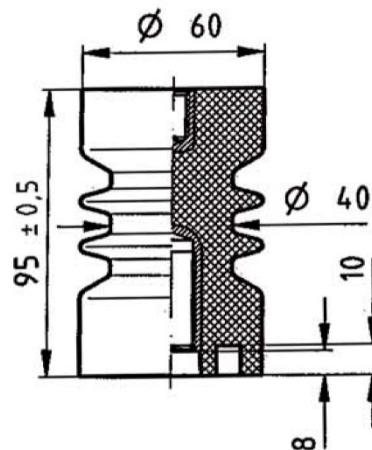
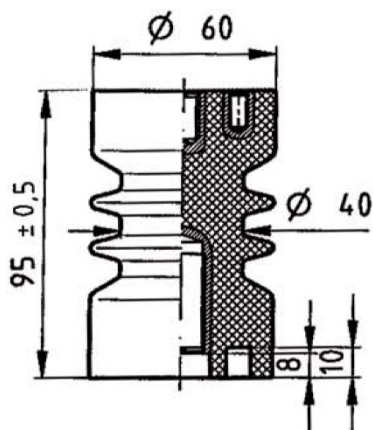
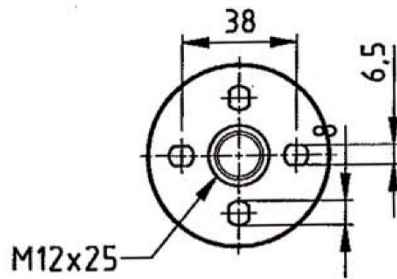
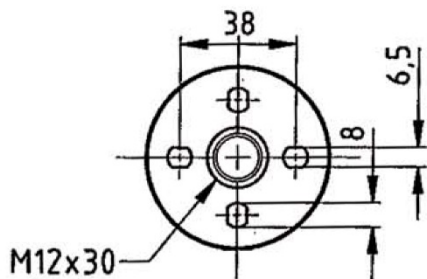


Ⓢ Tolerances: 130/DIN 16901

Bottom fitting



Design 1/2

Design 2/2

Tests corresponding IEC 60660 (VDE 0441/part 3)						Color = RAL 8016		
Type	Designation corresponding DIN 48136	Designation corresponding IEC 60273	60 kV Lightning impulse withstand voltage	28 kV Power frequency withstand voltage, dry	> 5 kN Failing load bending	133 mm Creepage distance	2 Numbers of ribs	0,45 kg Weight

Index	Modification / Complement	Date	Name	Appr	Index	Modification / Complement	Date	Name	Appr
a	Design 2/2	24.05.02	JB		d				
b		19.01.05	JB		e				
c					f				

Date	Name	Customer	Article	Drawing N° : M0020-2
Prepared 04.04.01	JB	BINAME	B119-1 (design 1)	BINAME <i>INSULATORS</i>
Approved 18.7.06		Material : Epoxy	B4238-1 (design 2)	
Scale	Type :			BINAME INSULATORS Robert Dansaertlaan 250 1702 Groot-Bijgaarden Belgium
General tolerances DIN 16901 130	Casting epoxy resin indoor post insulator JO6-60 B119-1 – B4238-1			