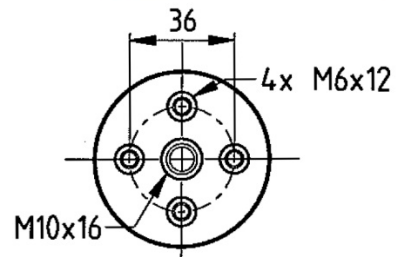
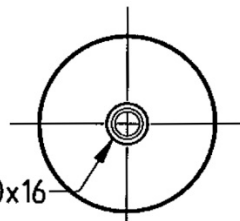
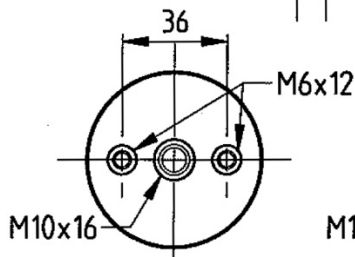
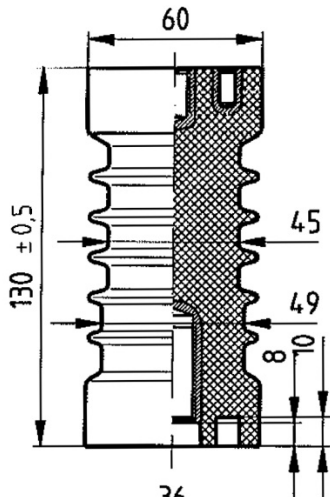
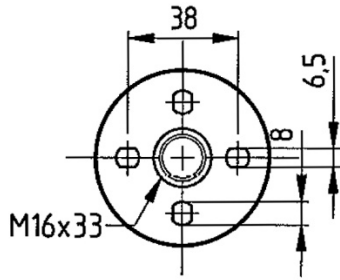


① Tolerances: 130/DIN 16901

Bottom fitting



Design 1 with potential connection

Design 2

Design 3

DIN 48136

Tests corresponding IEC 60660 (VDE 0441/part 3)

Color = RAL 8016

Type	A 10N-500	JO6-75	75 kV	38 kV	> 5 kN	174 mm	5	0,58 kg
	Designation corresponding DIN 48136	Designation corresponding IEC 60273	Lightning impulse withstand voltage	Power frequency withstand voltage, dry	Failing load bending	Creepage distance	Numbers of ribs	Weight

Index	Modification / Complement	Date	Name	Appr	Index	Modification / Complement	Date	Name	Appr
a	Product nr	12.02.96	JB		d				
b	Report BVFA and tolerances supplemented	19.01.05			e				
c					f				

Date	Name	Customer	Article	Drawing N° : M0021-0
	JB	BINAME	B1 (design 1) B251-1 (design 2) B376-1 (design 3)	
		Material : Epoxy		
Scale : 1:1	Type :			BINAME INSULATORS Robert Dansaertlaan 250 1702 Groot-Bijgaarden Belgium
General tolerances DIN 16901 130	Casting epoxy resin indoor post insulator JO6-75 B1 – B251-1 – B376			