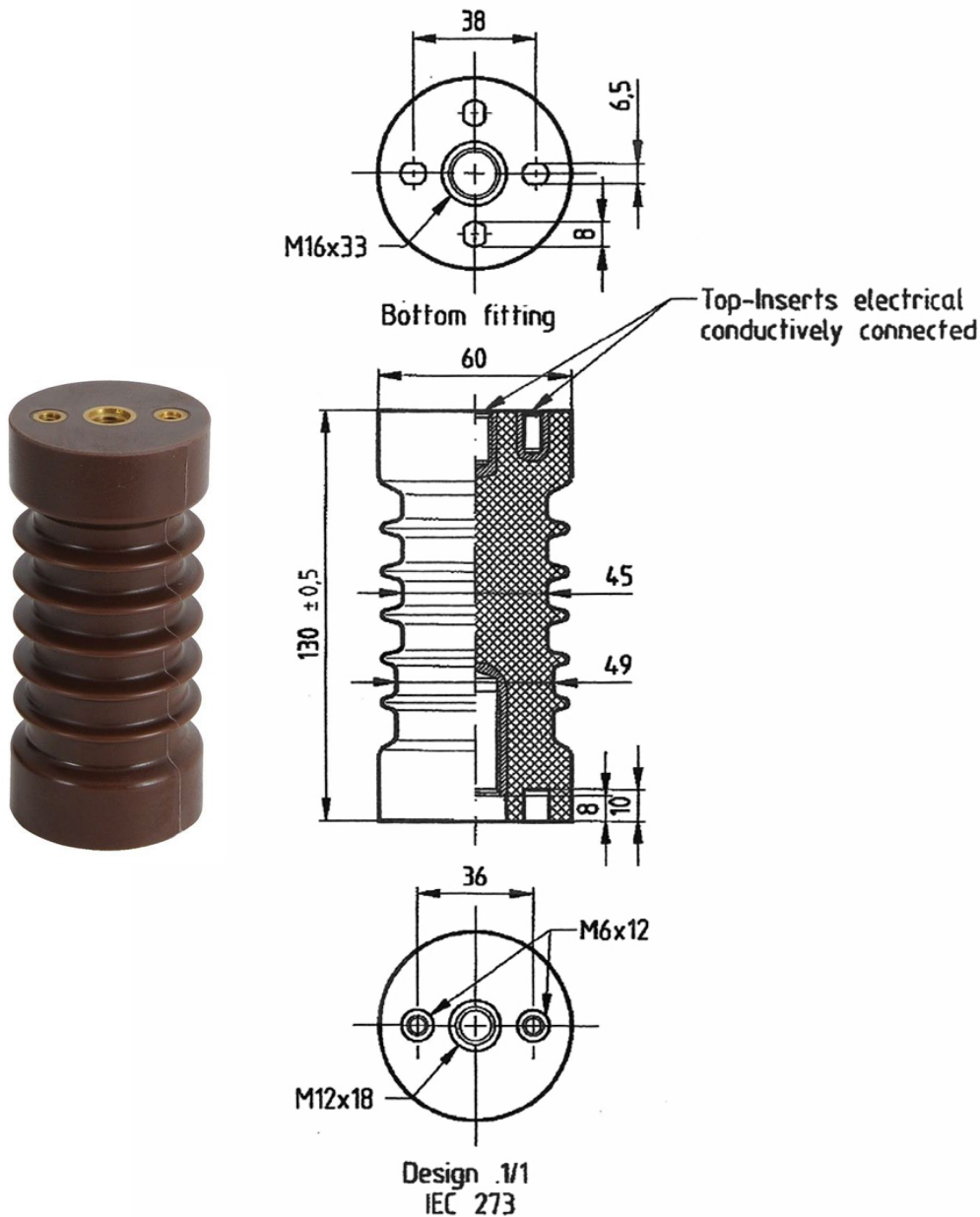


Ⓢ Tolerances: 130/DIN 16901



Tests corresponding IEC 60660 (VDE 0441/part 3)

Color = RAL 8016

Type	A 10N-500	JO6-75	75 kV	38 kV	> 5 kN	174 mm	5	0,58 kg
	Designation corresponding DIN 48136	Designation corresponding IEC 60273	Lightning impulse withstand voltage	Power frequency withstand voltage, dry	Failing load bending	Creepage distance	Numbers of ribs	Weight

Index	Modification / Complement	Date	Name	Appr	Index	Modification / Complement	Date	Name	Appr
a	-	-	JB		d				
b					e				
c					f				

Date	Name	Customer	Article	<p>Drawing N° : 4.1099/84</p> <p>BINAME INSULATORS Robert Dansaertlaan 250 1702 Groot-Bijgaarden Belgium</p>
Prepared	JB	BINAME	B542	
Approved		Material : Epoxy	B377	
Scale : 1:1	Type : Casting epoxy resin indoor post insulator JO6-75 B542 – B377			
General tolerances DIN 16901 130				