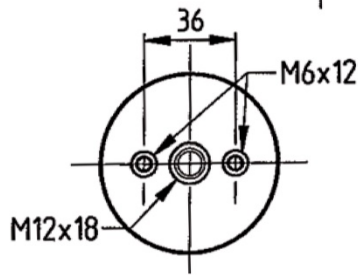
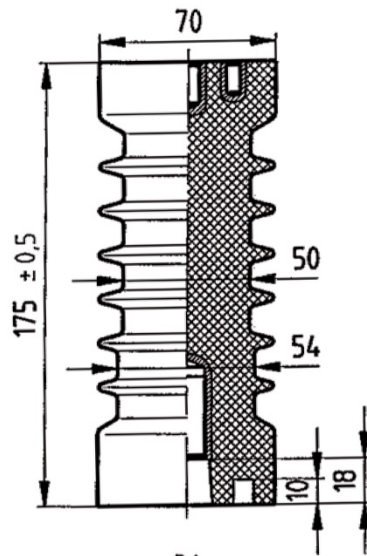
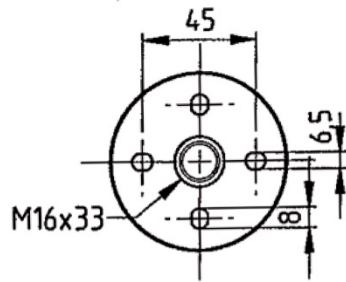


Ⓢ Toleranzen: 130/DIN 16901

Bottom fitting



Design 1/1 with potential connection  
IEC 273




Tests corresponding IEC 60660 (VDE 0441/part 3)

Color = RAL 8016

Type	A 20S-500 Designation corresponding DIN 48136	JO6-95 Designation corresponding IEC 60273	95 kV Lightning impulse withstand voltage	50 kV Power frequency withstand voltage, dry	> 5 kN Failing load bending	258 mm Creepage distance	6 Numbers of ribs	1,00 kg Weight
------	--	---	---	---	--------------------------------------	--------------------------------	-------------------------	-------------------

Index	Modification / Complement	Date	Name	Appr	Index	Modification / Complement	Date	Name	Appr
a	Report and tolerance supplemented	26.01.05	JB		d				
b					e				
c					f				

Date	Name	Customer	Article	Drawing N° : M0025-1
Prepared 190995	JB	BINAME	B546	
Approved 18.7.06		Material : Epoxy		
Scale : 1:1	Type :			BINAME INSULATORS Robert Dansaertlaan 250 1702 Groot-Bijgaarden Belgium
General tolerances DIN 16901 130	Casting epoxy resin indoor post insulator JO6-95 B546			